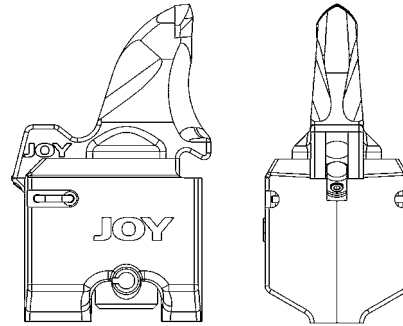


Genuine Joy Service Products

Super Duty Radial Bit Holder

- 100mm block provides improved strength
- System design allows for easy removal of worn or damaged bits
- 125mm or 137mm gage bits available
- 52% stiffer bit reducing the chance of bending or shanking bits
- Spray completely protected and retained by bit
 - Improved dust suppression
 - 20% less water consumption



Super duty radial bit holder components

Part number	Description
100699161	Block/bit holder
100821827	125mm (5") Super Duty Radial bit kit, contains 4 bits
100822480	137mm (5 1/2") super duty radial bit, contains 4 bits
100716180	Bit retainer - spring steel
100716181	Bit retainer - nylon
100714550	Spray
100714702	Spray blank
100728553	Transport blank - nylon
100716182	Spray retainer pin

Tools and accessories

Part number	Description
100809818	Pick extractor
100809819	Spray and retainer pin extractor
100809820	Nylon roll pin extractor

Product designs, specifications and/or data in this document are provided for informational purposes only and are not warranties of any kind. Product designs and/or specifications may be changed at any time without notice. The only warranties that apply to sales of products and services are Joy Global's standard written warranties, which will be furnished upon request.

Joy Global, Joy, P&H and related logos are trademarks of Joy Global Inc. or one of its affiliates.

© 2016 Joy Global Inc. or one of its affiliates. All rights reserved.

EN-GJSPDRBH01-0416-V1

JOYGLOBAL



joyglobal.com