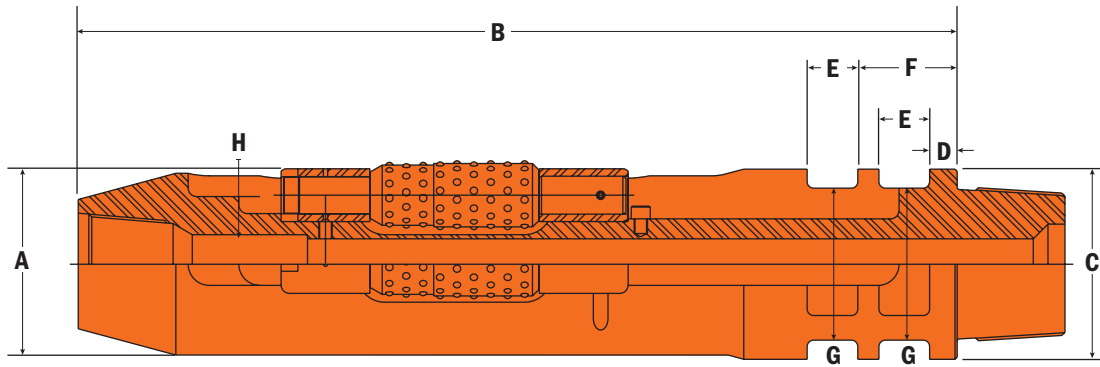




# Bit Reamer Stabilizers

Raiseboring tools



A	B	C	D	E	F	G	H	Connection	Weight
229 mm 9 in	1219 mm 48 in	200 mm 7.88 in	41 mm 1.63 in	70 mm 2.75 in	143 mm 5.63 in	178 mm 7 in	4R F.V.	6¼ DI22 Pin 4½ Reg Box	252 kg 555 lbs
251 mm 9.88 in	1219 mm 48 in	222 mm 8.75 in	41 mm 1.63 in	70 mm 2.75 in	143 mm 5.63 in	178 mm 7 in	4R F.V.	8¼ DI22 Pin 6⅝ Reg Box	300 kg 660 lbs
279 mm 11 in	1219 mm 48 in	254 mm 10 in	41 mm 1.63 in	70 mm 2.75 in	152 mm 6 in	203 mm 8 in	4R F.V.	8¼ DI22 Pin 6⅝ Reg Box	381 kg 840 lbs
279 mm 11 in	1524 mm 60 in	254 mm 10 in	41 mm 1.63 in	70 mm 2.75 in	152 mm 6 in	203 mm 8 in	4R F.V.	8¼ DI22 Pin 6⅝ Reg Box	485 kg 1070 lbs
311 mm 12.25 in	1320 mm 52 in	286 mm 11.25 in	41 mm 1.63 in	76 mm 3 in	152 mm 6 in	229 mm 9 in	4R F.V.	9¼ DI22 Pin 6⅝ Reg Box	508 kg 1120 lbs
311 mm 12.25 in	1524 mm 60 in	286 mm 11.25 in	41 mm 1.63 in	76 mm 3 in	152 mm 6 in	229 mm 9 in	4R F.V.	9¼ DI22 Pin 6⅝ Reg Box	592 kg 1305 lbs
350 mm 13.75 in	1219 mm 48 in	327 mm 12.88 in	63 mm 2.5 in	90 mm 3.5 in	203 mm 8 in	254 mm 10 in	5F-6R F.V.	10½ DI22 Pin 6⅝ Reg Box	649 kg 1430 lbs
381 mm 15 in	1219 mm 48 in	327 mm 12.88 in	63 mm 2.5 in	90 mm 3.5 in	203 mm 8 in	254 mm 10 in	5F-6R F.V.	10½ DI22 Pin 7⅝ Reg Box	744 kg 1640 lbs
381 mm 15 in	1219 mm 48 in	327 mm 13.13 in	57 mm 2.25 in	90 mm 3.5 in	203 mm 8 in	267 mm 10.5 in	5F-6R F.V.	10¼ DI315 Pin 7⅝ Reg Box	771 kg 1700 lbs

---

**JOYGLOBAL**



Product designs, specifications and/or data in this document are provided for informational purposes only and are not warranties of any kind. Product designs and/or specifications may be changed at any time without notice. The only warranties that apply to sales of products and services are Joy Global's standard written warranties, which will be furnished upon request.

Joy Global, Joy, Montabert, P&H and related logos are trademarks of Joy Global Inc. or one of its affiliates.

© 2016 Joy Global Inc. or one of its affiliates. All rights reserved.

[joyglobal.com](http://joyglobal.com)