



# Fletcher Model CHDDR-4

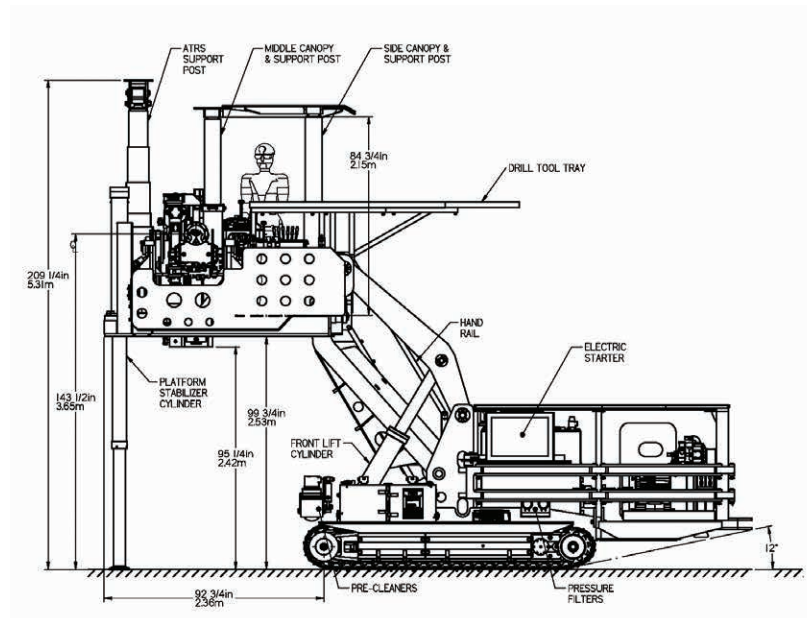
## Four-head roof bolter



The Fletcher CHDDR-4 is a four mast feed roof drill. The bolter is run by two operators, each working two separate drill masts. With operator slide out platforms, operators can use detented controls to bolt the inside, outside, and toward the rib. Because the masts operate independently from each other, operators can simultaneously perform separate tasks, maximizing production time.

### Standard equipment

- Fletcher crawler drive system
- Automatic spring set, hydraulic release brakes
- MSHA-approved dust collection system
- Automated temporary roof support (ATRS)
- Cable reel
- High pressure filters
- Platform lift
- Fire suppression system
- Front and rear stabilizers
- Certified drill canopies
- Walk-thru chassis
- Hydraulic disconnect at operator's stations



### Model CHDDR-4

- Walk-Thru chassis design element eliminates the need for operators to walk between the machine and the rib
- With four mast-style drill rigs on the front platform, operators can drill (4) four holes simultaneously
- The (2) two outside masts can rotate a total of 100 degrees front to back, 95 degrees towards the rib and 5 degrees in. The mast also has the capability to rotate 5 degrees side to side
- The (2) two inside masts can rotate a total of 5 degrees front to back, 2.5 degrees in both directions. The masts can also rotate a total of 7.5 degrees side to side, 2.5 degrees in and 5 degrees out

### General specifications

Height	1.79 m	70.5"
Chassis width	7.52 m	24' 8"
Length - overall	3.43 m	11' 3"
Crawler base	2.64 m	104"
Chassis underclearance	305 mm	12"
Weight (complete)	41,960 kg	92,505 lbs
Platform lift	2.53 m	99.8"
Platform extension	1.37 m	54"

### Fletcher options

- Towing package
- Methane monitors
- Rotary impact drillheads
- Wet drilling system
- Venturi or motor oil fill
- Hydraulic power take-off
- Latch drilling circuit

**JOYGLOBAL**



Product designs, specifications and/or data in this document are provided for informational purposes only and are not warranties of any kind. Product designs and/or specifications may be changed at any time without notice. The only warranties that apply to sales of products and services are Joy Global's standard written warranties, which will be furnished upon request.

Joy Global, Joy, Montabert, P&H and related logos are trademarks of Joy Global Inc. or one of its affiliates. "Fletcher" is a trademark of J.H. Fletcher & Co.

© 2016 Joy Global Inc. or one of its affiliates. All rights reserved.

[joyglobal.com](http://joyglobal.com)