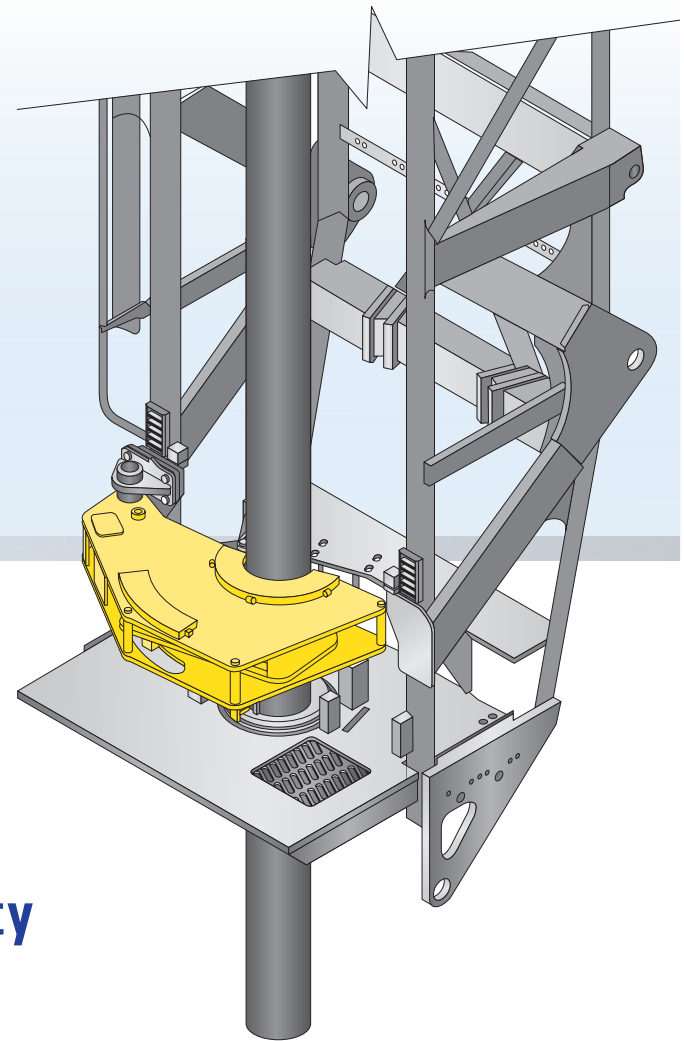


Sure Wrench™ Hydraulic Breakout Wrench



Bracket closeup



Faster Pipe Change-Outs for Increased Productivity

- Increased breaking cylinder stroke and breaking torque
- Floating dies allow for up to 3 degrees pipe taper per side
- Dual-jaw clamping accommodates up to 1.75" (44 mm) wear on pipe diameter
- Tapered guide slot design to extend bushing life
- Bracket upgrade helps prevent premature wear to pivot pins and brackets
- Available for most pipe sizes:
7" to 14-3/8" (178 mm to 365 mm)
- Available on 120, 320, and 49R series drills

Description

Designed for the toughest mining conditions, the P&H Sure Wrench provides optimal efficiency and resistance to wear. It allows for one-person operation of pipe breaking from the operator console control and is compatible with all P&H drills as well as most other manufacturers' drills.

Pipe Size	Clamping Force	Breaking Torque
Small 7" to 10-3/4" (178 mm to 273 mm)	91,786 lbs. (408,285 newtons)	112,245 ft. lbs.* (152,184 newton-meters)
Large 10-3/4" to 14-3/8" (273 mm to 365 mm)	100,000 lbs. (444,822 newtons)	200,000 ft. lbs.* (271,163 newton-meters)

*Actual value will depend on pipe size, material and condition of surface

Bracket Upgrade

Includes a bushing that helps increase the stability of the bore/pin interface and reduces the potential for wear in the bore/pin area. This upgrade includes two new pivot brackets with bushings pressed into the bore.

Installation

Consists of mounting the hydraulic components, routing the control component and assembling wiring and hydraulic connections. Due to hydraulic and electrical variations in the drills, the Komatsu drills engineering department must review the actual drill configuration before supplying the P&H Sure Wrench enhancement.

Note: The drill must be capable of supplying hydraulic pressure up to 2500 PSI, 110-12- VAC power via a 20 A breaker.

Komatsu: Revolutionizing the mining industry for a sustainable future

Product designs, specifications and/or data in this document are provided for informational purposes only and are not warranties of any kind. Product designs and/or specifications may be changed at any time without notice. The only warranties that apply to sales of products and services are Komatsu's standard written warranties, which will be furnished upon request.

Komatsu, Joy, Montabert, P&H, Sure Wrench and other trademarks and service marks used herein are the property of Komatsu Ltd., Komatsu Mining Corp., or their respective owners or licensees.

© 2019 Komatsu Mining Corp. All rights reserved.

EN-SW01-0719-V1

KOMATSU

mining.komatsu