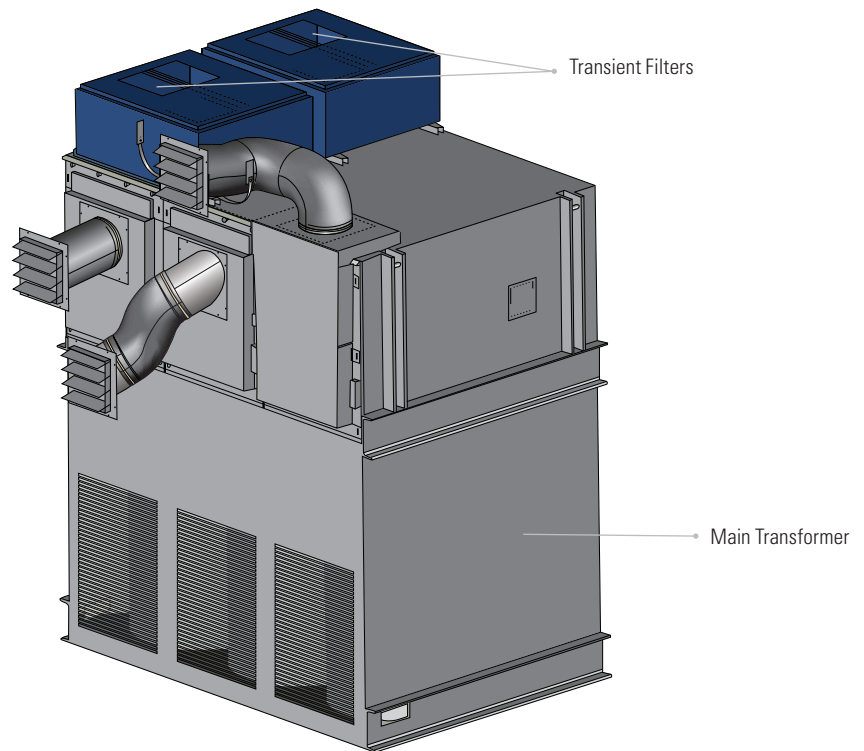


Transient Filter System

The P&H transient filter system reduces the incidence of brush sparking and diverter trips on hoist, crowd and swing motors.



Summary

Energy spikes or “transients” within the mine power grid can stress electric motors and other electrical equipment onboard electric mining shovels. Symptoms such as frequent diverter trip faults, frequent motor arc horn damage and accelerated brush wear on DC shovels are good reasons to consider installation of a P&H transient filter system.

The transient filter system uses two filters, one on each of the main transformer secondary units.

Key features and benefits

- Increased motor life
- Increased brush life
- Fewer diverter trips
- Fewer motor flash overs

Standard equipment on new models:

Available as standard equipment on P&H DC shovels.

Retrofits

Available as a retrofit upgrade on P&H 2800XPB, 2800XPC DC, 4100, 4100A, 4100XPB, 4100BOSS, 4100C BOSS DC, 4100TS shovels.

Installation Requirements

Estimate: Typically two (2) electrical/technical personnel for 12 hours on the install. One (1) welder/mechanic to remove the roof panel and weld the brackets to the top of the transformer. One crane or suitable lifting device to set the kits in place.

Komatsu Mining Corp. Group

<https://mining.komatsu>

Product designs, specifications and/or data in this document are provided for informational purposes only and are not warranties of any kind. Product designs and/or specifications may be changed at any time without notice. The only warranties that apply to sales of products and services are standard written warranties, which will be furnished upon request.

Komatsu, Joy, Montabert, P&H and other trademarks and service marks used herein are the property of Komatsu Ltd., Komatsu Mining Corp., or their respective owners or licensees.

© 2019 Komatsu Mining Corp. All rights reserved.