

Stacked Roller Circle and Swing Rack Dragline Services

Benefits

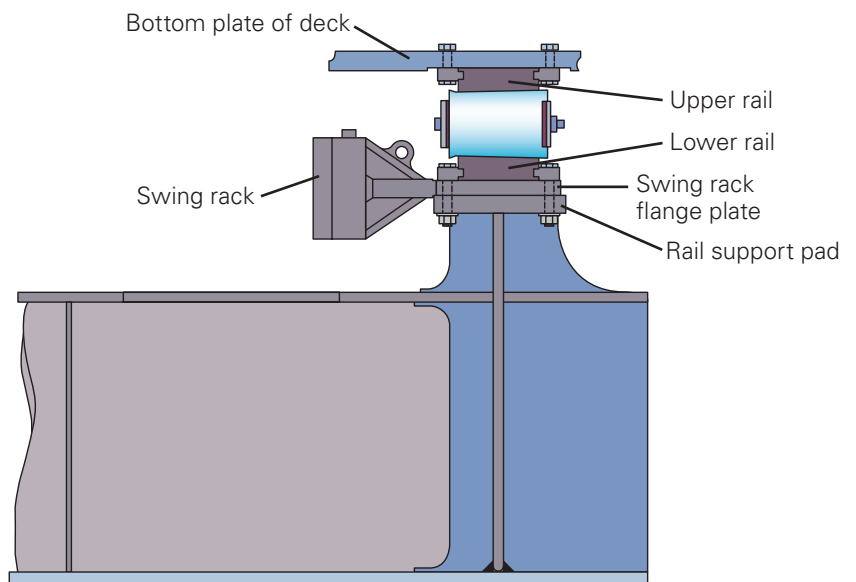
- Isolates local roller circle loads from other working loads acting on the top plate of the tub
- Provides exceptional head room clearance for:
 - Ease of inspection
 - Ease of maintenance
 - Simplified housekeeping
 - Visual observation of entire swing rack and roller circle at a glance
 - Ease of access to tub for inspection
- Internal swing rack provides for:
 - Stronger gear teeth
 - Enhanced protection from dusty environments

Summary

P&H walking draglines feature a stacked roller circle and internal swing rack arrangement that results in an exceptionally spacious, well-lit environment between the top of the tub and the bottom of the deck.

Description

Dragline roller circle/swing rack is set up in a stacked arrangement between the tub and deck. The stack consists of an elevated rail support pad above the top plate, rack, lower rail, house rollers and the upper rail attached to the bottom plate of deck.



Elevated swing rack design provides exceptional head room clearance between the tub and deck, with a low-profile wall plate that helps keep roller circle lubricant from entering the tub.

For more information, contact a local Komatsu Mining Corp. representative or visit mining.komatsu

Komatsu Mining Corp.

mining.komatsu



Product designs, specifications and/or data in this document are provided for informational purposes only and are not warranties of any kind. Product designs and/or specifications may be changed at any time without notice. The only warranties that apply to sales of products and services are standard written warranties, which will be furnished upon request.

Komatsu, Joy, Montabert, P&H and other trademarks and service marks used herein are the property of Komatsu Ltd., Komatsu Mining Corp., or their respective owners or licensees.

© 2018 Komatsu Mining Corp. All rights reserved.