

Center Lifting Pin Tub-Lift Design Dragline services

Summary

To help ensure smooth, efficient walking, P&H draglines utilize a rugged lifting pin to pick up the tub during the walk cycle.

Description

Located in the strong, bending resistant center of the tub, the lifting pin design transmits uniform, radially distributed loads into the structure.

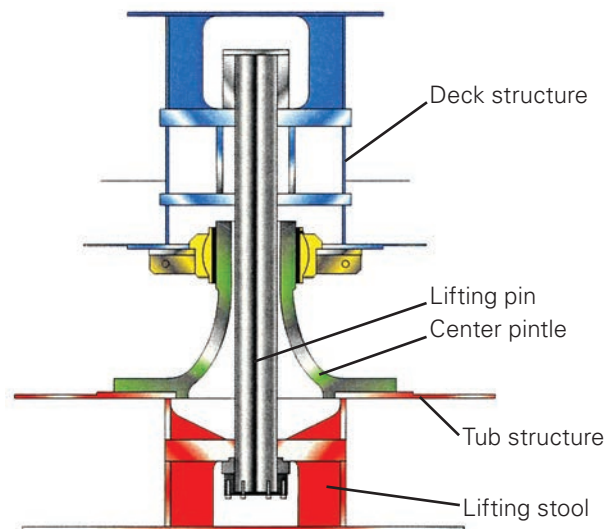
The lifting pin effectively lifts the entire weight of the tub. This results in a reduced load on the dragging edge of the tub at the end of the step, thus reducing tendency for the tub to "pull a roll" while walking.

Benefits

- Low-load (virtual no-load) on the dragging portion of the tub to prevent pulling a roll, thus contributing to smoother walking, less cleanup work and a more efficient operation
- Applies lifting forces at strongest areas of structures for greater durability
- Eliminates the risk of tub top plate deflection and subsequent distortion of the rail path and roller circle during the walk cycle
- Easier and less frequent adjustments than hook shoes for reduced field maintenance
- Eliminates the need to install large manhole inspection cut-outs within the circular diaphragm supporting the roller circle, which can compromise the structural integrity of a highly loaded member of the tub

Product application

- 752
- 9010C
- 9020C



9010C and 9020C walking draglines feature rugged lifting pins, designed for smooth and efficient walk cycles

For more information, contact a local Komatsu Mining Corp. representative or visit mining.komatsu

Komatsu Mining Corp.

mining.komatsu



Product designs, specifications and/or data in this document are provided for informational purposes only and are not warranties of any kind. Product designs and/or specifications may be changed at any time without notice. The only warranties that apply to sales of products and services are standard written warranties, which will be furnished upon request.

Komatsu, Joy, Montabert, P&H and other trademarks and service marks used herein are the property of Komatsu Ltd., Komatsu Mining Corp., or their respective owners or licensees.

© 2018 Komatsu Mining Corp. All rights reserved.